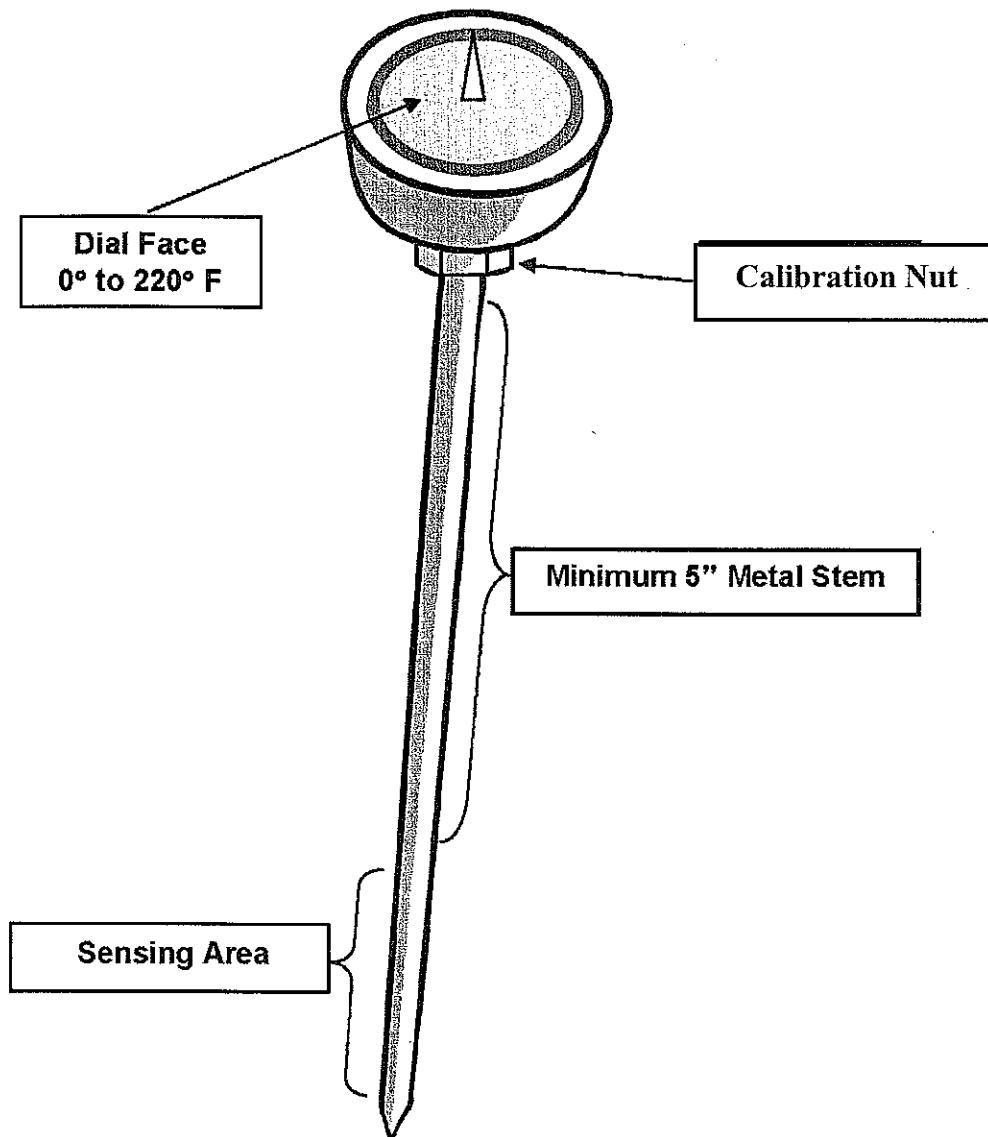



METAL STEMMED THERMOMETER

In order to ensure that your thermometer is accurate, your thermometer should be calibrated:

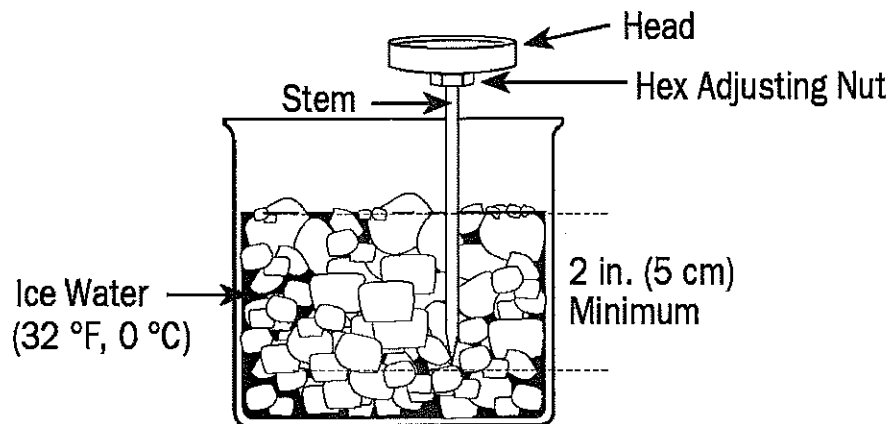
- regularly according to the manufacturer's recommendations
- after an extreme temperature change
- if the thermometer has been dropped



Click on  [Calibrating a metal stemmed thermometer.](#)

Calibrating Bi-Metal Stem Thermometer Using the Ice Bath Method

- Create an ice slurry (crushed ice/water)
- Let sit one minute
- Submerge thermometer into container (do not touch bottom)
- Hold in place for 30 seconds
- Hold head of thermometer and rotate hex adjusting nut until needle reads 32°F



Calibrating Bi-Metal Stem Thermometer Using the Boiling Water Method

- Bring saucepan/stock pot with water to rolling boil
- Submerge thermometer into container (do not touch bottom)
- Hold in place for 30 seconds
- Hold head of thermometer and rotate hex adjusting nut until needle reads 212°F

Decrease 1°F for every 550 feet above sea level.

Boiling Water
(212 °F, 100 °C)

Be extremely cautious around steam. Do not let steam come in contact with body. Use hot holding gloves.

